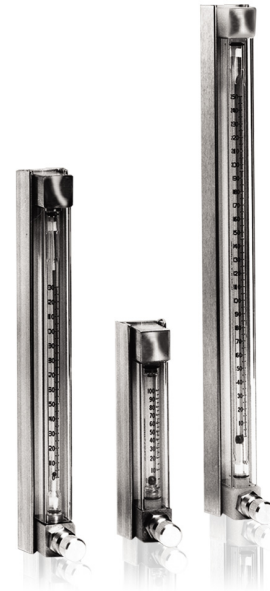


# Models A6100 & A6200 Purgemaster 'SNAP-IN' Small Flowmeter

Long-term reliable  
performance flowmeters with  
low cost-of-ownership



#### High strength stainless steel body

- the body is corrosion resistant stainless steel, rigidly constructed to maintain tube alignment and resist pipe strain

#### 'SNAP-IN' tube construction

- minimizes the downtime needed to clean the meter tube or to change the meter range

#### Polycarbonate operator protection shield

- safety tested shield protects personnel from glass fragments in the rare event of accidental tube breakage

#### Component flexibility

- all parts for the three scale lengths except bodies, tubes and protector shields are interchangeable

#### Internal backcheck

- restricts back flow and draining of process fluid when metering tube is removed

#### Choice of operating position

- the meter can be inverted and its tube reversed to change the control valve position from the inlet to the outlet

#### Options of valve, DP regulator and alarms

#### ATEX-approved versions available both with and without alarms

- II 2GD approval without alarms; II 2G approval with alarms

# SEITA

Soluciones en Instrumentación,  
Automatización y Control Industrial

[www.seita.com.co](http://www.seita.com.co)

Power and productivity  
for a better world™



## Introduction

ABB Purgemaster Flowmeters are low capacity variable area flowmeters for both liquid and gas with an excellent selection of material and scale lengths in a single product family design. They provide optimum flexibility with a minimum number of components. The meter features a corrosion resistant, high strength stainless steel body, quick, easy snap-in tube construction and a safety tested operator protection shield.

A differential pressure regulator is available, which will maintain a constant flowrate of a liquid or gas even when there are pressure variations. It is supplied piped into the meter as an assembly, ready to use.

A constant liquid or gas flowrate is achieved by creating a constant pressure drop. Manually changing the needle valve setting on the flowmeter changes the flowrate value. The differential pressure regulator then maintains this constant flowrate even when the pressure varies.

However when metering gases their compressibility means that – although the supply pressure can change - the downstream pressure must be fixed, if the volume flowrate is to be held at the set value.

In addition, one or two inductive ring sensor alarms can be fitted to certain model variants. These enable High, Low or even High and Low flow trip points to be set and a solid state status signal transmitted. If external switching of signals is to be initiated by these sensors, additional amplifiers/relays should be used.

ABB Purgemasters are ideal for applications such as the purging of control lines and instrument enclosures. Their use is easily extended into fluid sampling, liquid specific gravity, level measurement and similar services.

## Specification

### Measuring ranges

See measuring ranges on pages 3, 4 and 5

### Rangeability

≥10:1

### Scale design

% or direct reading scales  
Dt/Df ratio scale, millimeters

### Accuracy classes (VDE/VDI 3513)

5 in. scale length	
1/4 in. & 1/8 in. tube diameter	2.5
1/16 in. tube diameter	6
3 in. scale length	
All sizes	10
1 1/2 in. scale length	
All sizes	10

## Process temperature limits

### Non-certified systems

Stainless steel fittings: 0 to 120 °C  
Brass fittings: 0 to 95 °C

### ATEX Certified systems

Option/Temp Class	Max permissible process temperature in °C		
	T6	T5	T4
A6xxx without ring sensors	75	90	120
A6xxx with ring sensors	40	40	40

## Ambient temperature limits

A6xxx without ring sensors: 0 to 60 °C  
A6xxx with ring sensors: 0 to 40 °C

## Types of installation

In-line, front- & rear-panel-mounting  
Wall-mounting (regulator only)

## Permissible operating pressures – kPa (bar)

Scale length (in.)	Material			
	Stainless steel		Brass	
	Fluid Temperature		Fluid Temperature	
	Max.	Design	Max.	Design
	120 °C (248 °F)	38 °C (100 °F)	95 °C (203 °F)	38 °C (100 °F)
1 1/2 to 3	1800 (18)	1800 (18)	1400 (14)	1800 (18)
5 to 10	1800 (18)	1800 (18)	1400 (14)	1800 (18)

## Materials

Wetted Parts	Standard	Options
Measuring Tube	Borosilicate glass	–
Float	1/16 in. Glass (BG) Sapphire (SA) 316 Stainless Steel	Carboloy (CA) Tantalum (TA)
	1/8 in. Glass (BG) Sapphire (SA) 316 Stainless Steel	Carboloy (CA) Tantalum (TA)
	1/4 in. Glass (CD) 316 Stainless Steel	Sapphire (SA) Carboloy (CA) Tantalum (TA)
Float Stop	5 in. tube PTFE 3 & 1 1/2 in. tube 316 Stainless Steel	316 Stainless Steel
Fittings	Brass 316 S31 Stainless Steel	
DP Regulator	Brass 316 S31 Stainless Steel	–
O-rings	Buna N Viton A	Ethylenepropylene Kalrez
Tube Adapter	Brass 316 Stainless Steel	–
Needle Valve	316 S31 Stainless Steel	–
Non-return Ball	PTFE	–

## Other components

Body	304 Stainless Steel
Operator Protection Shield	Polycarbonate

**Connections**

1/4 in. NPT or G1/4 internal thread, horizontal (rear facing) or vertical

**Weights**

	Without Regulator (kg)	With Regulator (kg)
Model A6131/41	0.45	1.6
Model A6132/42	0.65	1.8
Model A6133/43	0.80	2.0
Model A6134/44	0.45	1.6
Model A6135/45	0.45	1.6

**Measuring Ranges – Models A6131/41**

Measuring Tube	Float	Water		Air 0 °C 1013 mbar (cm <sup>3</sup> /min) (Q <sub>n</sub> )		Min. diff. press. bar <sup>a</sup>	Alarm RC10 = 1 RC15 = 2	Measuring Tube/Float Combination <sup>c</sup>
		cm <sup>3</sup> /min	l/h	Q <sub>n</sub> (cm <sup>3</sup> /min)	Q <sub>n</sub> (l/h)			
FP-1/8-08-P-3/37	BG-18	0.4 to 4.4	0.02 to 0.26	20 to 360*	2 to 21	0.17	–	F1
	SA-18	0.5 to 8.5	0.04 to 0.5	20 to 500	2 to 30	0.18	–	F5
	SS-18	1 to 19*	0.1 to 1.1	50 to 850*	3 to 50	0.18	1	F6
	CA-18	2 to 34	0.1 to 2.0	50 to 1300	5 to 80	0.18	1	F2
FP-1/8-20-P-3/37	BG-18	2 to 28	0.1 to 1.7	100 to 1500	5 to 95*	0.21	–	F8
	SA-18	4 to 48*	0.2 to 2.9	200 to 2000	10 to 125	0.21	–	G1
	SS-18	5 to 90*	0.4 to 5.4*	200 to 3000*	10 to 180	0.21	1	G2
	CA-18	10 to 135	0.5 to 8.0	400 to 4000	20 to 260	0.21	1	F9
FP-1/4-15-P-3/37	TA-18	15 to 145	1 to 8.5	460 to 4600	27 to 270	0.21	–	H1
	CD-14	10 to 130	0.5 to 7.5	500 to 6500	20 to 380	0.35	–	N0
	SA-14	23 to 230	1.4 to 14	850 to 8500	52 to 520	0.35	–	N3
	SS-14	20 to 400	2 to 23.0	1000 to 12500	50 to 750	0.7	2	N6
FP-1/4-20-P-3/37	CA-14	40 to 580	2 to 34.0	1000 to 17000	100 to 1050	0.7	2	M3
	CD-14	20 to 220*	0.5 to 13.0*	500 to 9500	40 to 560	0.35	–	M4
	SA-14	40 to 400	2 to 22	1000 to 12500	70 to 750	0.35	–	M5
	SS-14	40 to 580*	2.0 to 34.0*	1000 to 18000	100 to 1100	0.7	2	M6
FP-1/4-41-G-3/37	CA-14	50 to 850	4 to 50.0	2000 to 25000	100 to 1500	0.7	2	N1
	CD-14	40 to 460	2 to 27.0	1000 to 19000	100 to 1150	0.7	–	N2
	SA-14	70 to 750	4 to 46	3000 to 27000	200 to 1600	0.7	–	N5
	SS-14	100 to 1200	5 to 75.0*	2000 to 38000	100 to 2300	0.7	2	N8
CA-14 <sup>b</sup>	100 to 1800	10 to 105	4000 to 54000	200 to 3200	–	2	M9	

**Notes.**

- a) Applies only with differential pressure regulator  
 b) Not available with differential pressure regulator  
 c) For ordering information only

\* Direct reading scales as standard

**Measuring Ranges – Models A6131/41 with Inductive Alarm Sensor (RC10/RC15)**

Measuring Tube	Float	Water cm <sup>3</sup> /min	Air 0 °C 1013 mbar (cm <sup>3</sup> /min) (Q <sub>n</sub> )	Minimum Differential Pressure (bar) <sup>a</sup>	Ring Sensor
FP-1/8-08-P-3/37	SS-18	2 to 19	100 to 850	0.18	RC10-14-N3-Y115614
FP-1/8-20-P-3/37	SS-18	10 to 90	400 to 3200	0.21	
FP-1/4-15-P-3/37	SS-14	40 to 400	1000 to 12500	0.7	RC15-14-N3-Y115615
	CA-14	80 to 580	2000 to 17000	1.5	
FP-1/4-20-P-3/37	SS-14	80 to 580	2000 to 18000	0.7	
	CA-14	100 to 850	4000 to 25000	1.5	
FP-1/4-41-G-3/37	SS-14	150 to 1200	6000 to 40000	0.7	
	CA-14	200 to 1800	8000 to 54000	Note <sup>b</sup>	

**Notes.**

- a) In conjunction with differential pressure regulator  
 b) Not available with differential pressure regulator

**Measuring Ranges – Models A6132/42**

Measuring Tube Size	Measuring Tube No.	Float No.	Max. flow <sup>a</sup>		Alarm RC10 = 1 RC15 = 2	Float/ Measuring Tube Combination <sup>c</sup>
			Water cm <sup>3</sup> /min	Air 0 °C 1013 mbar (cm <sup>3</sup> /min) (Q <sub>v</sub> )		
1/16 in. <sup>b</sup>	FP-1/16-12-G-5/81 16 20	BG-16	0.92 1.61 2.45	80.0 131.1 192.5		B6 C1 C6
	FP-1/16-12-G-5/81 16 20	SA-16	1.58 3.2 4.82	117.0 188.6 270.1		B8 C3 C8
	FP-1/16-12-G-5/81 16 20	SS-16	4.2 7.2 10.3	103.5 319.2 430.5		B9 C4 C9
	FP-1/16-12-G-5/81 16 20	CA-16	7.6 12.3 17.8	307.1 475.3 636.2		B7 C2 C7
	FP-1/16-12-G-5/81 16 20	TA-16	8.4 13.5 18.6	326.7 508.5 678.0		C0 C5 D0
1/8 in.	FP-1/8-08-G-5/81 12 16 20 25	BG-18	6.1 13.9 22.6 31.5 43.7	373.6 696.3 1046.2 1426.6 1885.1		H2 H7 J2 J7 K2
	FP-1/8-08-G-5/81 12 16 20 25	SA-18	10.5 23.0 35.7 48.5 64.5	511.3 928.8 1384.7 1857.6 2454.0		H4 H0 J4 J9 K4
	FP-1/8-08-G-5/81 12 16 20 25	SS-18	20.5 39.5 60.0 81.0 107.0	804.4 1421.4 2092.8 2788.3 3629.1	1 1 1 1 1	H5 J0 J5 K0 K5
	FP-1/8-08-G-5/81 12 16 20 25	CA-18	33.6 61.2 90.6 121.7 159.7	1205.7 2089.4 3014.3 3997.8 5136.7	1 1 1 1 1	H3 H8 J3 J8 K3
	FP-1/8-08-G-5/81 12 16 20 25	TA-18	36.5 66.0 97.5 130.0 171.5	1287.9 2219.0 3202.4 4229.3 5456.3		H6 J1 J6 K1 L1
	FP-1/4-10-G-5/81 16 20 25	CD-14	78 152 206 275	3717 6742 8928 11479		R4 S0 S6 T2
	FP-1/4-10-G-5/81 16 20 25	SA-14	134 253 337 446	5200 9245 12231 15650		R5 S1 S7 T3
	FP-1/4-10-G-5/81 16 20 25	SS-14	228 415 547 703	7793 13672 17979 22900	2 2 2 2	R6 S2 S8 T4
	FP-1/4-10-G-5/81 16 20 25	CA-14	346 612 805 1036	10967 19227 25293 32200	2 2 2 2	R3 R9 S5 T1
	FP-1/4-10-G-5/81 16 20 25	TA-14	370 660 860 1105	11704 20457 26703 34276		R7 S3 S9 T5
	FP-1/4-40-G-6/81 FP-1/4-40-G-6/81 FP-1/4-40-G-6/81	SS-14 CA-14 TA-14	1500 2050 2200	45700 64800 67200	2 2	V0 T7 W1

**Notes.**

- a) Maximum flow rates for other fluids can be calculated using our sizing software – contact ABB
- b) Not available with differential pressure regulator
- c) For ordering information only

### Measuring Ranges – Models A6132/42 with Inductive Alarm Sensor (RC10/RC15)

Measuring Tube	Float	Max. Flow		Minimum Differential Pressure (bar) <sup>a</sup>	Ring Sensor
		Water cm <sup>3</sup> /min	Air 0 °C 1013 mbar (cm <sup>3</sup> /min) (Q <sub>n</sub> )		
FP-1/8-08-G-5/81 12 16 20 25	SS-18	20.5 39.5 60.0 81.0 107.0	804.4 1421.4 2092.8 2788.3 3629.1	0.18	RC10-14-N3-Y115614
FP-1/4-10-G-5/81 16 20 25	SS-14	228 415 547 703	7793 13672 17979 22900	0.7	
FP-1/4-10-G-5/81 16 20 25	CA-14	346 612 805 1036	10967 19227 25293 32200	1.5	RC15-14-N3-Y115615
FP-1/4-40-G-6/281 40	SS-14 CA-14	1512 2180	48384 67580	0.7 <sup>b</sup>	

**Notes.**

- a) In conjunction with differential pressure regulator
- b) Not available with differential pressure regulator

### Measuring Ranges – Models A6133/43

Measuring Tube	Float	Max. Flow			
		Water		Air 0 °C 1013 mbar	
		cm <sup>3</sup> /min	l/h	cm <sup>3</sup> /min (Q <sub>n</sub> )	l/h
FP-1/8-077-G-10	SA-18	1 to 9.5	0.08 to 0.58	80 to 520	4 to 32
FP-1/8-13.3-G-10	BG-18	2 to 17	0.1 to 1.0	100 to 850	6 to 50
FP-1/8-077-G-10	SS-18	2 to 20	0.15 to 1.2	100 to 800	6 to 50
FP-1/8-13.3-G-10	SA-18	2 to 27	0.2 to 1.6	150 to 1100	10 to 65
FP-1/8-13.3-G-10	SS-18	6 to 48	0.2 to 2.9	200 to 1700	10 to 100
FP-1/4-10-G-10	BG-14	10 to 95	0.8 to 5.6	400 to 4200	20 to 250
FP-1/4-19-G-10	BG-14	20 to 230	1.5 to 13.5	1000 to 9000	80 to 560
FP-1/4-10-G-10	CA-14	40 to 360	2 to 22	1500 to 11500	100 to 700
FP-1/4-19-G-10	SS-14	80 to 540	4 to 32	2000 to 17000	150 to 1050
FP-1/4-40-G-10	BG-14	80 to 600	4 to 38	2000 to 26000	200 to 1600
FP-1/4-19-G-10	CA-14	100 to 800*	6 to 48	2000 to 24000	150 to 1450
FP-1/4-40-G-10	SS-14	150 to 1500*	10 to 90	6000 to 48000	200 to 2900
FP-1/4-40-G-10	CA-14	200 to 2200*	15 to 135	1000 to 70000	400 to 4000

\*Not available with differential pressure regulator

**Measuring Ranges – Models A6133/43 with Inductive Alarm Sensor (RC10/RC15)**

Measuring Tube	Float	Max. Flow			
		Water		Air 0 ° C 1013 mbar	
		cm <sup>3</sup> /min	l/h	cm <sup>3</sup> /min (Qn)	l/h
FP- <sup>1</sup> / <sub>8</sub> -077-G-10	SS-18	2 to 20	0.15 to 1.2	100 to 800	6 to 50
FP- <sup>1</sup> / <sub>8</sub> -13.3-G-10	SS-18	6 to 48	0.2 to 2.9	200 to 1700	10 to 100
FP- <sup>1</sup> / <sub>4</sub> -10-G-10	CA-14	40 to 360	2 to 22	1500 to 11500	100 to 700
FP- <sup>1</sup> / <sub>4</sub> -19-G-10	SS-14	80 to 540	4 to 32	2000 to 17000	150 to 1050
FP- <sup>1</sup> / <sub>4</sub> -19-G-10	CA-14	100 to 800*	6 to 48	2000 to 24000	150 to 1450
FP- <sup>1</sup> / <sub>4</sub> -40-G-10	SS-14	150 to 1500*	10 to 90	6000 to 48000	200 to 2900
FP- <sup>1</sup> / <sub>4</sub> -40-G-10	CA-14	200 to 2200*	15 to 135	1000 to 70000	400 to 4000

\*Not available with differential pressure regulator

**Measuring Ranges – Models A6134/44**

Measuring Tube <sup>b</sup>	Float No.	Water cm <sup>3</sup> /min	Air 0 ° C 1013 mbar (cm <sup>3</sup> /min) (Q <sub>n</sub> )	Min. Required Differential Press bar <sup>a</sup>	Float/ Measuring Tube Combination <sup>d</sup>
Tube No.					
FP- <sup>1</sup> / <sub>16</sub> -08-P-1 <sup>1</sup> / <sub>2</sub> /19	BG-16 <sup>c</sup>	0.05 to 0.8	5 to 65	–	A1
	SA-16 <sup>c</sup>	0.10 to 1.0	5 to 90	–	A2
	SS-16 <sup>c</sup>	0.50 to 4.0	15 to 170	–	A3
FP- <sup>1</sup> / <sub>16</sub> -30-P-1 <sup>1</sup> / <sub>2</sub> /19	BG-16	0.5 to 7.0	25 to 400	0.17	A4
	SA-16	1.0 to 13.0	50 to 550	0.17	A5
	SS-16	2.0 to 22.0	50 to 850	0.17	A6
FP- <sup>1</sup> / <sub>8</sub> -21-P-1 <sup>1</sup> / <sub>2</sub> /19	BG-18	2.5 to 37.5	100 to 2000	0.21	E1
	SA-18	5.0 to 60.0	200 to 2600	0.21	E3
	SS-18	10 to 120.0	200 to 3800	0.21	E4
	CA-18	14 to 180	280 to 5600	0.21	E2
FP- <sup>5</sup> / <sub>32</sub> -40-P-1 <sup>1</sup> / <sub>2</sub> /19	BG- <sup>5</sup> / <sub>32</sub>	15 to 190	700 to 8000	0.18	W2
	SS- <sup>5</sup> / <sub>32</sub>	40 to 450	1200 to 15000	0.18	W3
FP- <sup>1</sup> / <sub>4</sub> -28-P-1 <sup>1</sup> / <sub>2</sub> /19	SA-14	30 to 570	1300 to 19500	0.7	L2
	SS-14	50 to 850	2000 to 28000	0.7	L3
FP- <sup>1</sup> / <sub>4</sub> -41-P-1 <sup>1</sup> / <sub>2</sub> /19	SS-14 <sup>c</sup>	100 to 1600	2500 to 45000	–	M1
	CA-14 <sup>c</sup>	200 to 2200	5000 to 70000	–	L4

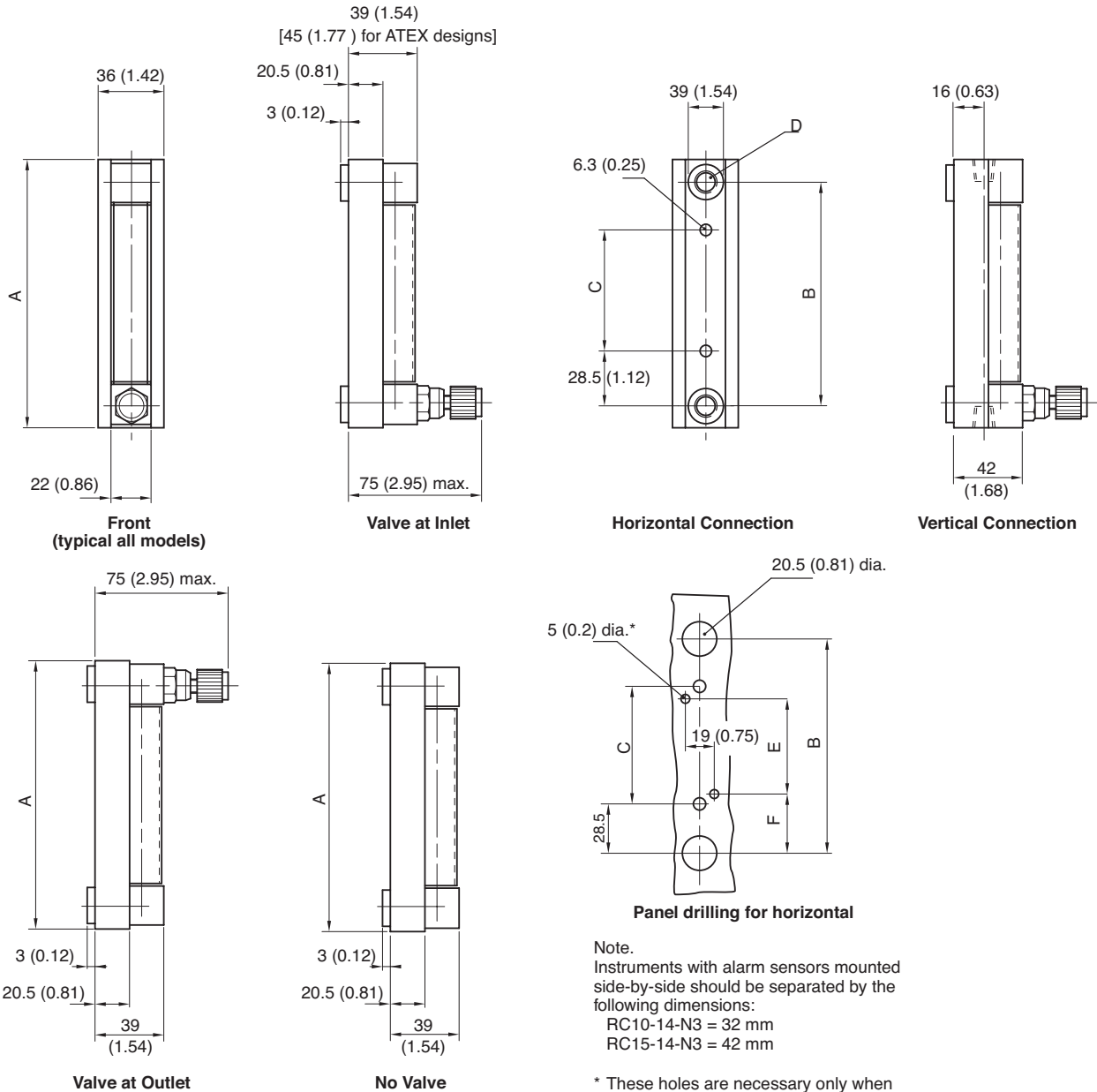
**Notes.**

- Applies only with built-in differential pressure regulator
- Only with % scale. Not available with differential pressure regulator.
- Not available with differential pressure regulator.
- For ordering information only.

## Overall Dimensions

### In-line and Front Panel-mounting (horizontal and vertical connections)

Dimensions in mm (in.)



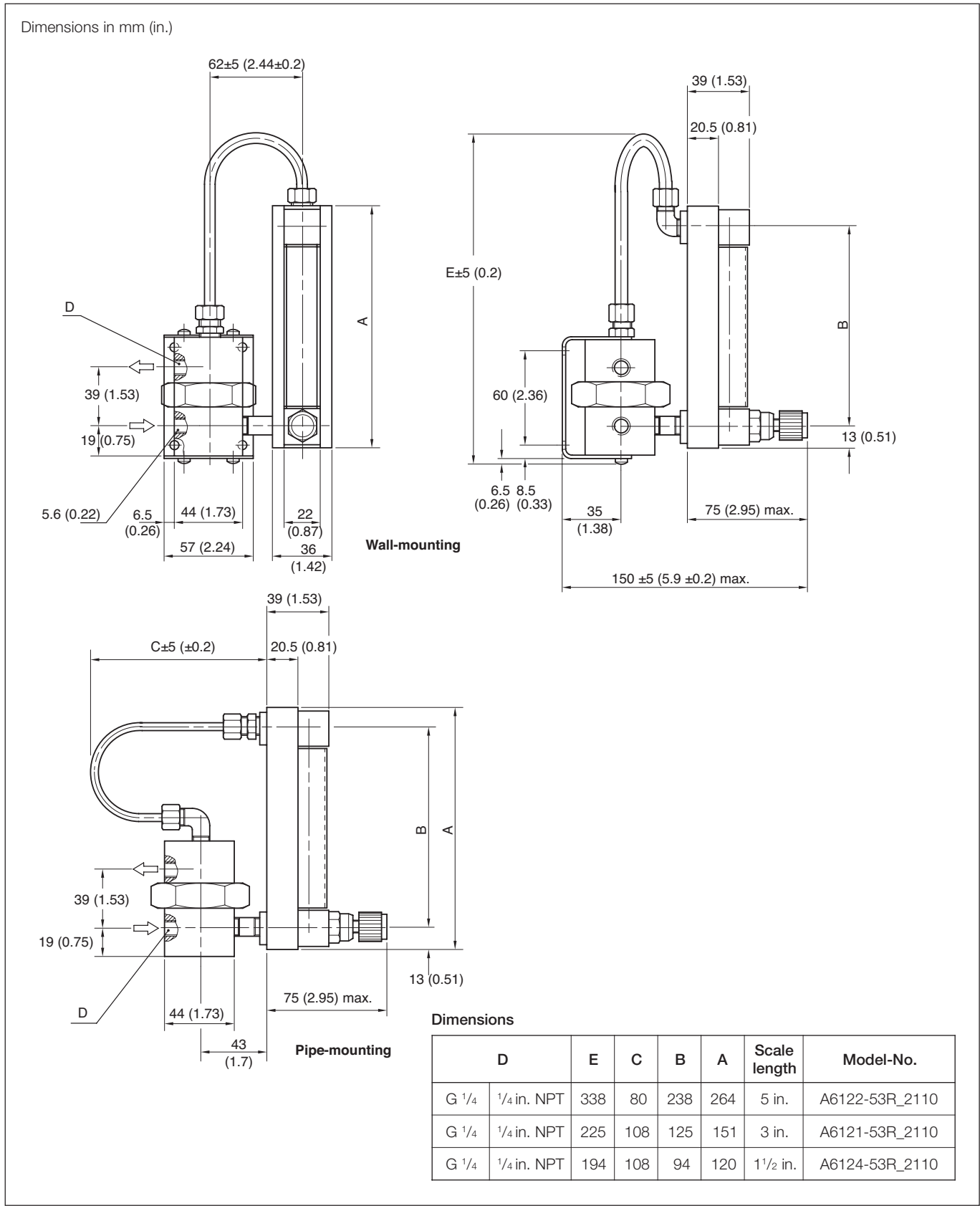
Note.  
Instruments with alarm sensors mounted side-by-side should be separated by the following dimensions:  
RC10-14-N3 = 32 mm  
RC15-14-N3 = 42 mm

\* These holes are necessary only when mounting using adapter plates

#### Dimensions

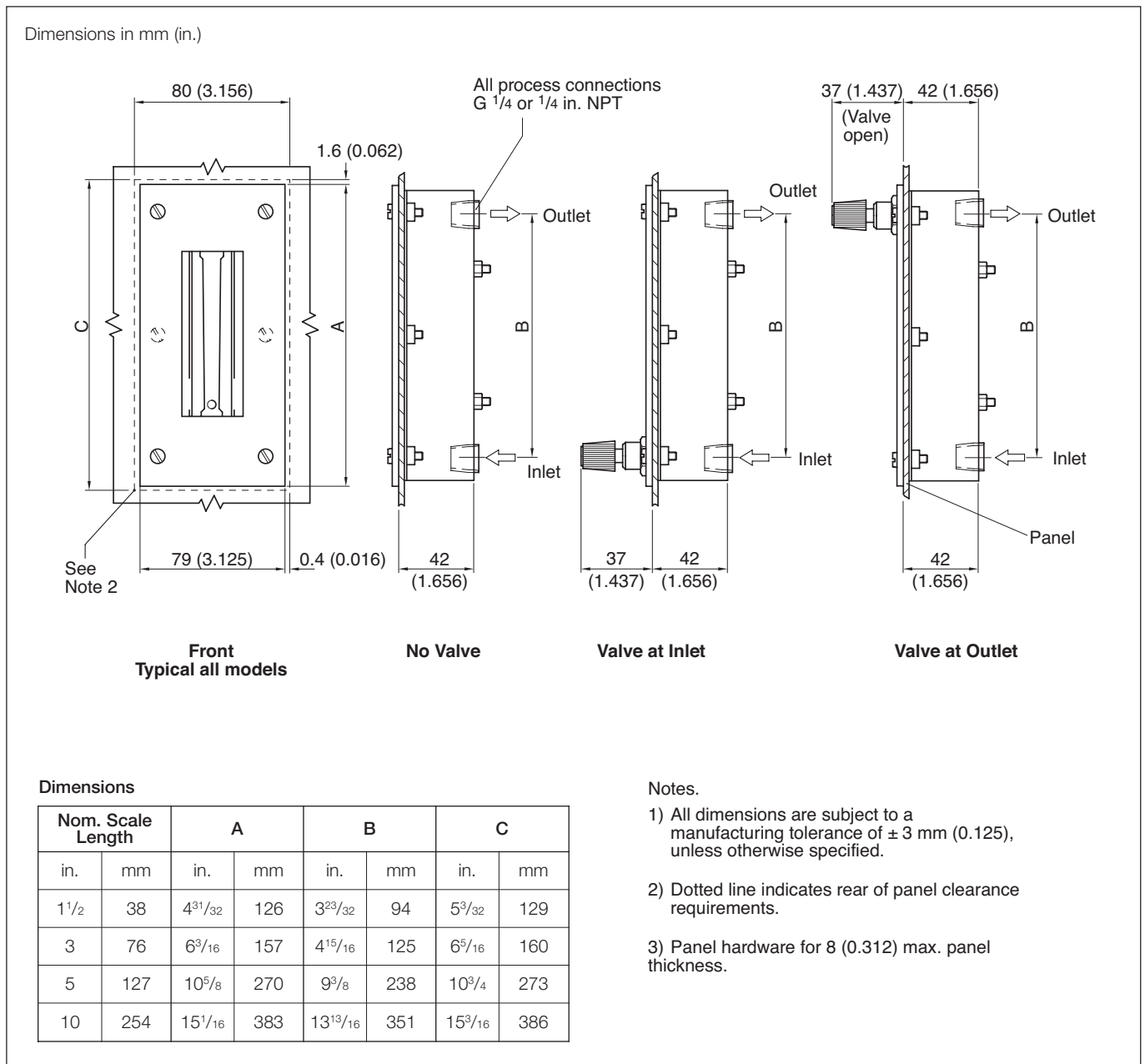
	D	F	E	C	B	A	Scale Length	Model No.
G 1/4	1/4 in. NPT	36.5	165	181	238	264	4/5 in.	A6x32/42
G 1/4	1/4 in. NPT	27.2	71	68	125	151	3 in.	A6x31/41
G 1/4	1/4 in. NPT	27.2	40	37	94	120	1 1/2 in.	A6x34/44
G 1/4	1/4 in. NPT	27.2	71	68	125	151	3 in.	A6x35/45

**Purgemaster with Regulator**

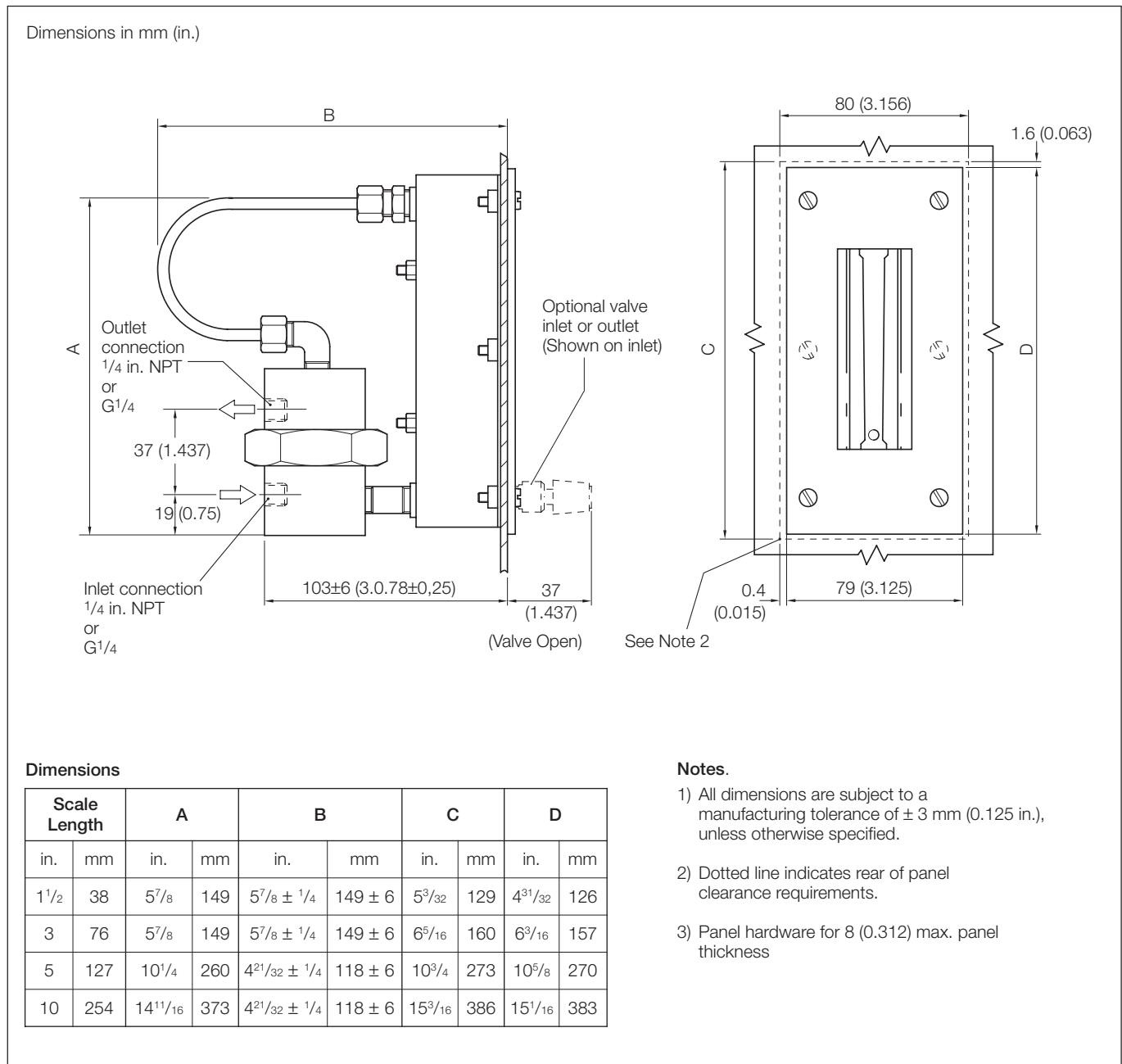




**Panel-mounting (horizontal connections)**

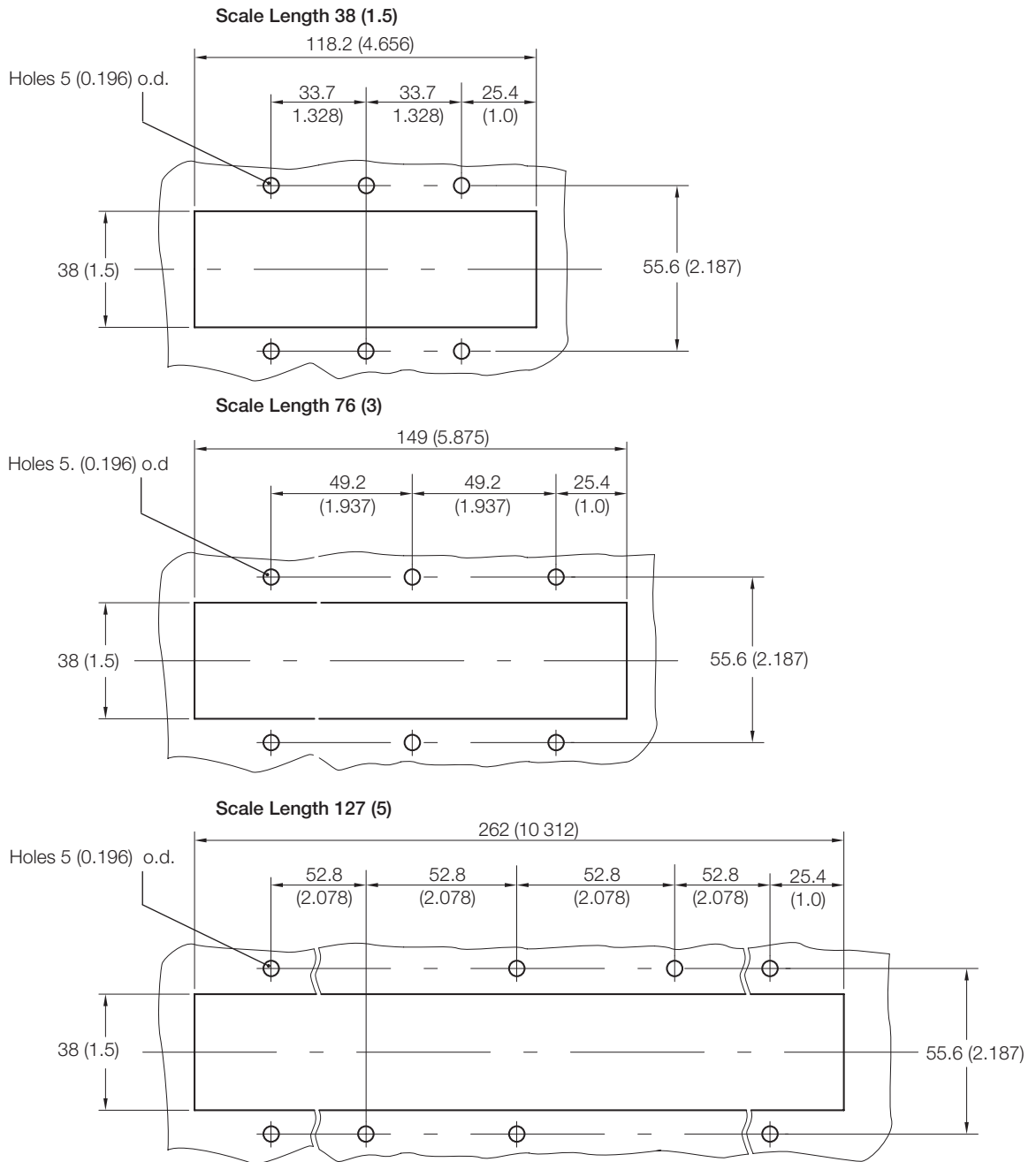


Panel-mounting with Differential Pressure Regulator



### Panel Cut-out for Panel-mounting

Dimensions in mm (in.)



### Ordering Information

<b>Model Code</b>	A6	X	X	X	X	X	X	X	X	X	X	X	X	X	X	X	X	X
<b>Connection</b>																		
Horizontal	1																	
Vertical	2																	
<b>Connection Type</b>																		
As regulator	2																	
1/4 in. NTP	3																	
G1/4	4																	
Tube 6 mm	5																	
Tube 8 mm	6																	
Hoses 6 mm	7																	
Hoses 8 mm	8																	
Special	9																	
<b>Tube Length</b>																		
3 in.	1																	
5 in.	2																	
10 in.	3																	
1 1/2 in.	4																	
<b>Tube Diameter</b>																		
1/16 in.	A																	
1/8 in.	B																	
1/4 in.	C																	
5/32 in.	D																	
<b>Tube / Float</b>																		
None	O																	
Select from Tables on pages 3, 4 or 5	*																	
<b>Scale Type</b> pages 3, 4, 5 or 6																		
Without	0																	
Direct reading	1																	
dt/df ratio	2																	
Percent	3																	
Standard direct reading	4																	
Calibrated	5																	
<b>Materials</b>																		
Brass / Viton	A																J	
Brass / Buna	B																K	
Brass / Ethylenepropylene	C																L	
Brass / Kalrez	D																Z	
Stainless steel / Viton	I																	
Stainless steel / Buna																J		
Stainless steel / Ethylenepropylene																K		
Stainless steel / Kalrez																L		
Special																Z		
<b>Valve</b>																		
Without Valve	A																S	
Valve at Outlet, Low Capacity (Size 1.2)	C																Q	
Valve at Outlet, Medium Capacity (Size 2.2)	M																U	
Valve at Outlet, High Capacity (Size 3.2)	E																T	
Valve at Inlet, Low Capacity (Size 1.2)	D																R	
Valve at Inlet, Medium Capacity (Size 2.2)	N																V	
Valve at Inlet, High Capacity (Size 3.2)	F																	
<b>Alarm (excluding amplifier)</b>																		
Without	A																	
Min. alarm	B																	
Max. alarm	C																	
Min. & max. alarm	D																	
Suitable for alarms (no sensors fitted)	E																	
<b>Regulator</b>																		
Without	0																	
Standard capacity 1/4 in. NTP	1																	
Standard capacity G 1/4	2																	
High capacity 1/4 in. NTP	3																	
High capacity G 1/4	4																	
<b>Mounting</b>																		
In-line	A																	
Wall	B																	
Rear panel	C																	
Front panel	D																	
Laboratory stand	E																	
Front panel + adaptor	F																	
Front panel + end cap	G																	
Front panel + end cap + adaptor	H																	
<b>Design level</b>	A																	
<b>Certification</b>																		
ATEX II 2Gc T6 -T4 with Ring Sensor	A																	
ATEX II 2GDc T4 130 °C without Ring Sensor	D																	
None	S																	

## Alarm Unit for Purgemaster

The alarm comprises a ring sensor and associated switching amplifier, available as an accessory, for glass-tube variable-area flowmeters, type A6x31/41 and A6x32/42.

Clamped directly to the body, the ring sensor is continuously adjustable across the overall metering range. The ring sensor can be used with all metal-float equipped flowmeters according to the capacity tables.

## Principle of Operation

The ring sensor, with a bistable switching action, energizes the relay in the amplifier when the float reaches the trigger level. It remains in that position, even if the float continues to move towards the alarm zone, thus leaving the trigger level. The relay de-energizes as soon as the float crosses the trigger level from the opposite direction and moves back from the alarm zone into the normal operating range. The actual float position – above or below the trigger level – is indicated precisely.

Operation in a hazardous area is possible, since the ring sensor used is an intrinsically safe switch with an intrinsically safe circuit. Flowmeter Model A6x31/41 is suitable for use either as a minimum alarm or a maximum alarm, due to its short metering tube. Model A6x32/42 is recommended if both alarm operations are required.

## Design Features

- Sensor height 14 mm, minimizes coverage of the scale
- Integrated clamp secures device directly to the meter body  
No automatic adjustment during operation is possible

## Specification – Ring Sensor

### Part Nos.

Measuring tube 1/8 in. type RC10-14-N3-Y115614

Measuring tube 1/4 in. type RC15-14-N3-Y115615

### Supply voltage

10 V DC

### Operating range

In direction 1 – 2.9 mA

In direction 2 – 4.8 mA

### Permissible resistance of control cable

≤ 100 Ω

### Repeatability

1 % (T = constant)

### Temperature drift

± 10 %

### Permissible ambient temperature

0 to 40 °C (32 to 104 °F)

### Permissible process temperature

0 to 40 °C (32 to 104 °F)

### Connection cable

LIFYY x 0.14 mm<sup>2</sup>

### Cable length

5 m (16.5 ft)

### Housing

Black Polycarbonate

### Protection type as per EN 60529

IP67

### Certificate of conformity

Ring Sensor only:	PTB 99 ATEX 2128X II 2G EEx ia IIC T6
Flowmeter with Ring Sensor:	BASEEFA 03 ATEX 0424X II 2G EEx c T6 – T4
Flowmeter without Ring Sensor:	BASEEFA 03 ATEX 0424X II 2GD EEx c 130°C

### Weight

40 g (1.4 oz.) approx.

### Specification – Switching Amplifier

**Switch amplifier**

Amplifier	Supply Voltage	Channels
KFD2-SR2-Ex1.W	24 V DC	1
KFD2-SR2-Ex2.W	24 V DC	2
KFA5-SR2-Ex1.W	115 V AC	1
KFA5-SR2-Ex2.W	115 V AC	2
KFA6-SR2-Ex1.W	230 V AC	1
KFA6-SR2-Ex2.W	230 V AC	2

**Protection class**

IP20

**Electrical connection**

Terminals

**Weight**

0.15 kg (0.33 lb) approx.

**Output**

Relay with potential-free changeover contacts.

Switching capacity max. 2 A at 250 V AC

**Power consumption**

Max. 1 W

**Permissible ambient temperature**

-20 to +60 °C (-4 to 140 °F)

**Ex protection**

Circuits in Zone 0/1/2 – EEx II (I) G D [EEx ai] IIC

$U_o = 10.5 \text{ V}$

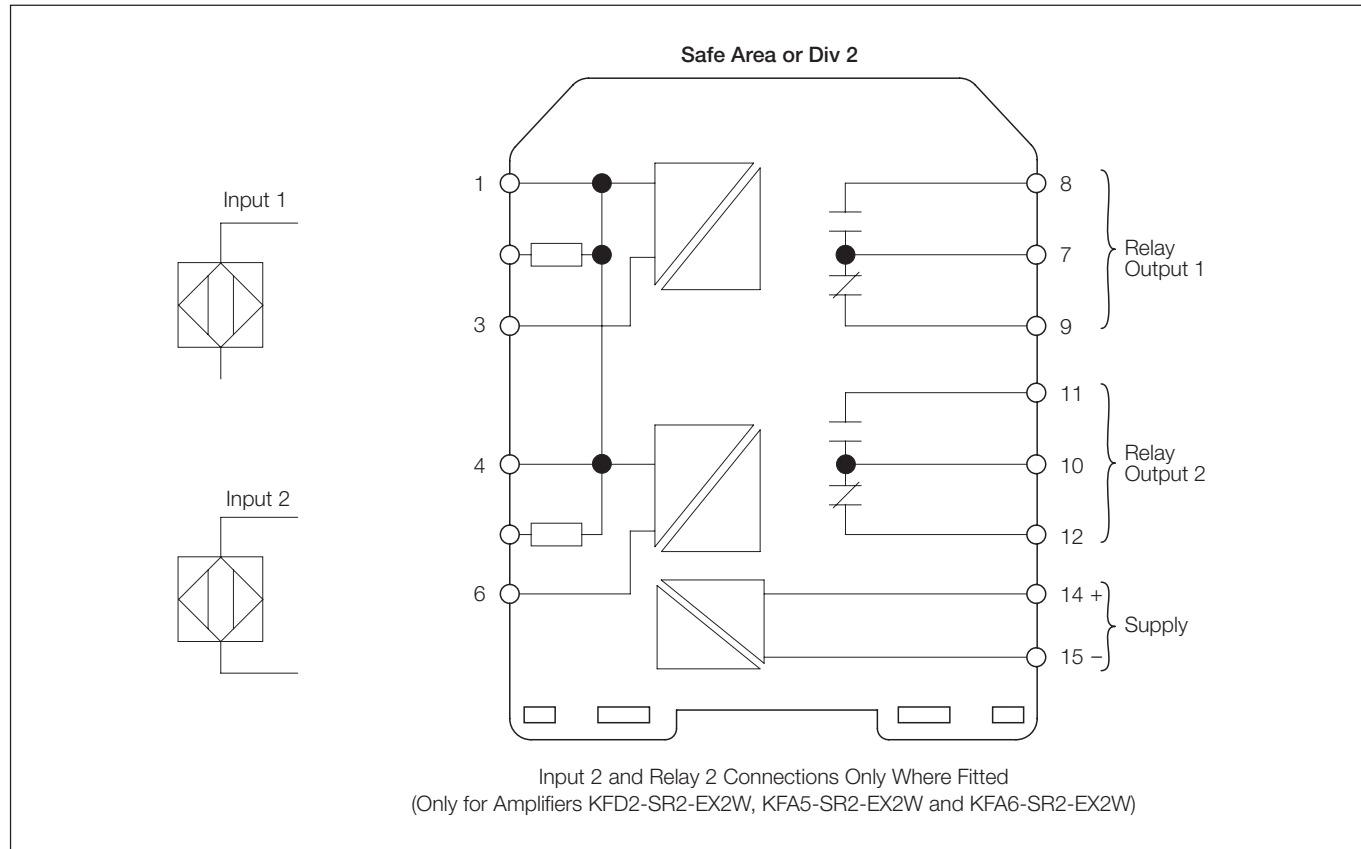
$I_o = 13 \text{ mA}$

$P_o = 34 \text{ mW}$

**Certificate number**

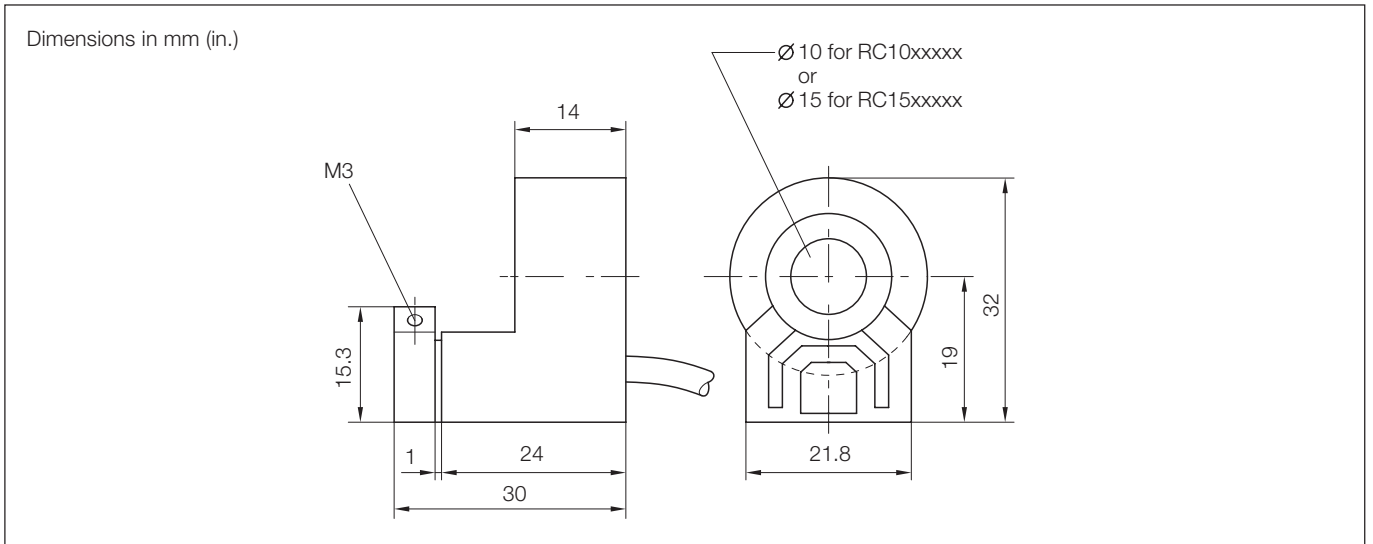
PTB 00 ATEX 2080

### Electrical Connections

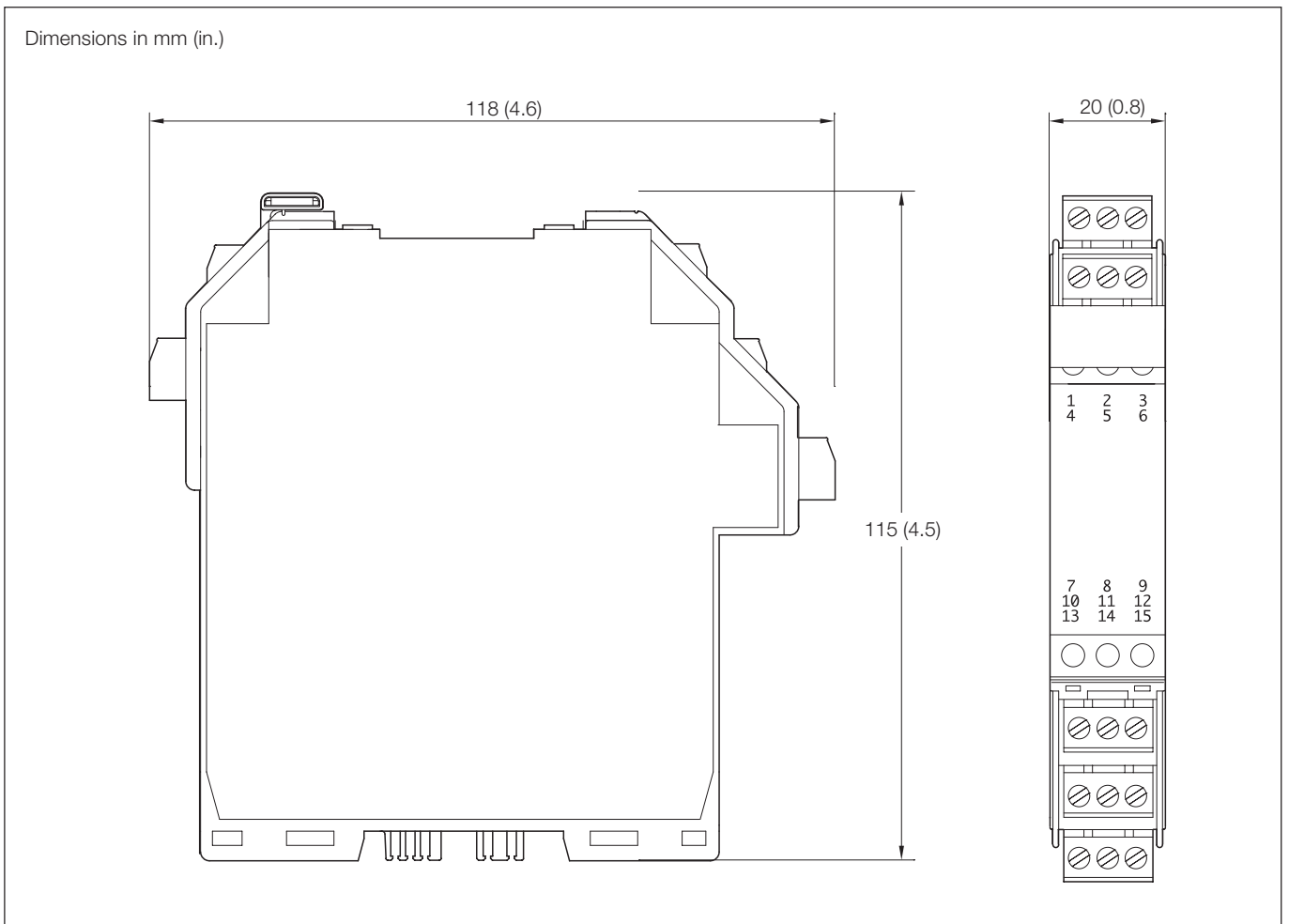


*Electrical Connections*

**Overall Dimensions**



Ring Sensor



Switch Amplifier

# Contact us

## ABB Limited

### Process Automation

Salterbeck Trading Estate  
Workington, Cumbria  
CA14 5DS  
UK

Tel: +44 (0)1946 830 611

Fax: +44 (0)1946 832 661

## ABB Inc.

### Process Automation

125 E. County Line Road  
Warminster  
PA 18974  
USA

Tel: +1 215 674 6000

Fax: +1 215 674 7183

[www.abb.com](http://www.abb.com)

# SEITA

**Soluciones en Instrumentación,  
Automatización y Control Industrial**

[www.seita.com.co](http://www.seita.com.co)

## Note

We reserve the right to make technical changes or modify the contents of this document without prior notice. With regard to purchase orders, the agreed particulars shall prevail. ABB does not accept any responsibility whatsoever for potential errors or possible lack of information in this document.

We reserve all rights in this document and in the subject matter and illustrations contained therein. Any reproduction, disclosure to third parties or utilization of its contents in whole or in parts – is forbidden without prior written consent of ABB.

Copyright© 2016 ABB

All rights reserved

3KXF121501R1001



Sales



Service